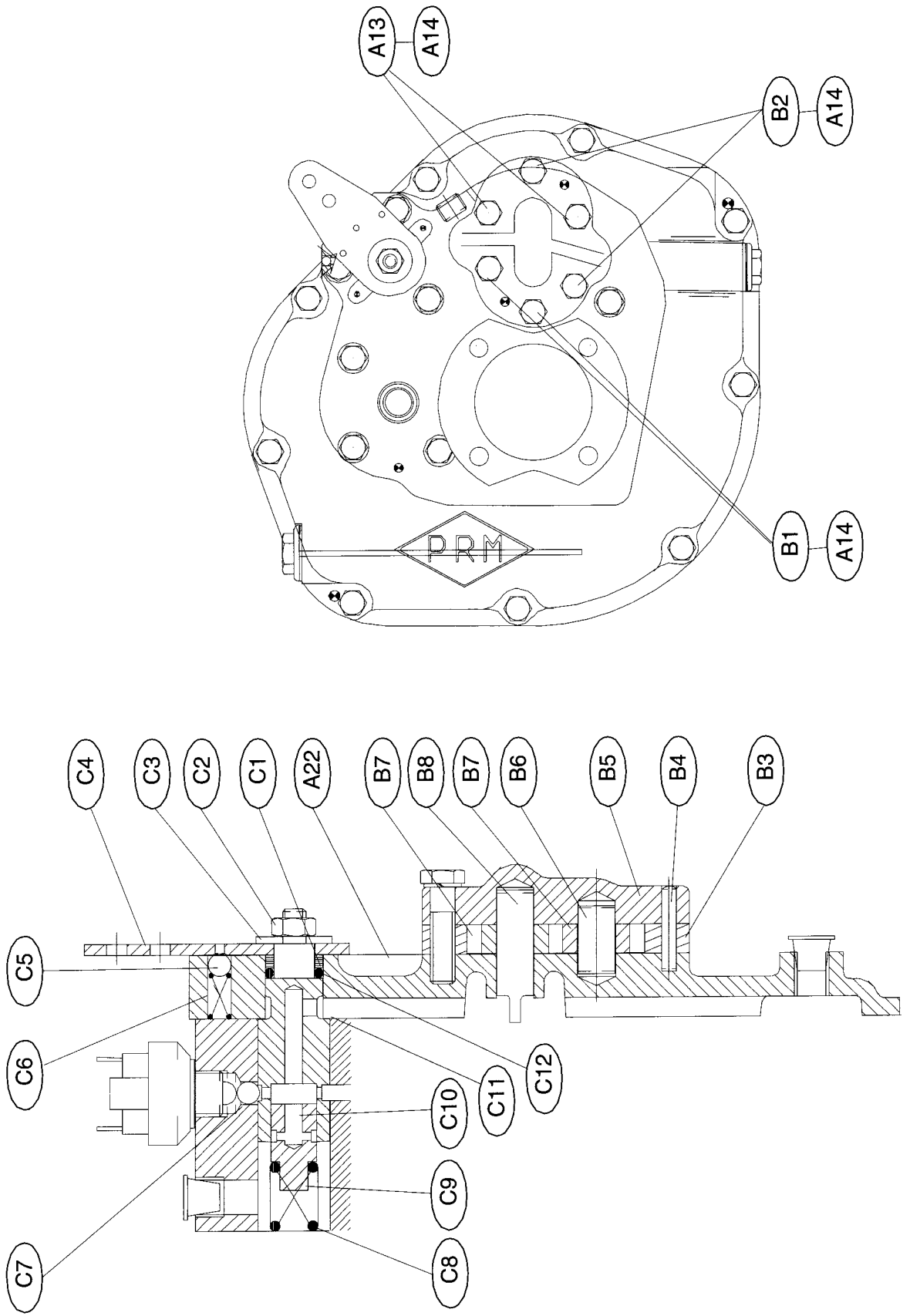


SECTION A - GEARCASE ASSEMBLY

| ITEM NO. | DESCRIPTION | PART NO. | QTY |
|-----------------|------------------------------|-----------|-------|
| A1 | Front gearcase | MT4898 | 1.00 |
| A2 | Rear gearcase | MT4899 | 1.00 |
| A3 | Dowel 6 dia x 20 long | 0210620 | 2.00 |
| A4 | Bonded seal 1/2" BSP | 0201714 | 1.00 |
| A5 | Dipstick | 0800550 | 1.00 |
| A6 | Dowel 3/16" dia x 1/2" long | 022D304 | 2.00 |
| A7 | Bolts M8 x 45 | 0040812ZP | 9.00 |
| A8 | Spring washer | 0191105ZP | 11.00 |
| A9 | Screw M8 x 25 long | 0040808ZP | 11.00 |
| A10 | Spirol Pin 3 dia x 8 long | 028S308 | 2.00 |
| A11 | Protection cap (for transit) | 0161012 | 2.00 |
| A12 | Pressure plug 1/8 BSP | MT311 | 1.00 |
| A13 | Bolt M8 x 60 long | 0040815ZP | 2.00 |
| A14 | Bonded seal 5/16" dia | CP1223 | 2.00 |
| A15 | Drain plug M16 | CP1360 | 2.00 |
| A16 | Bonded seal M16 | 0191716 | 2.00 |
| A17 | Nut M8 | 0050810 | 9.00 |
| A18 + F9 | Seal housing sub assy | MT3173S/A | 1.00 |
| A19 * | Switch (if fitted) | CP1358 | 1.00 |
| A20 | Gasket | MT3029 | 1.00 |
| A21 | Feeder | MT3175 | 2.00 |
| A22 | Manifold | MT3176 | 1.00 |
| Not illustrated | Socket wrench | CP1362 | 1.00 |

* If switch and ball are not fitted then tapping will be blanked off with plug CP1360



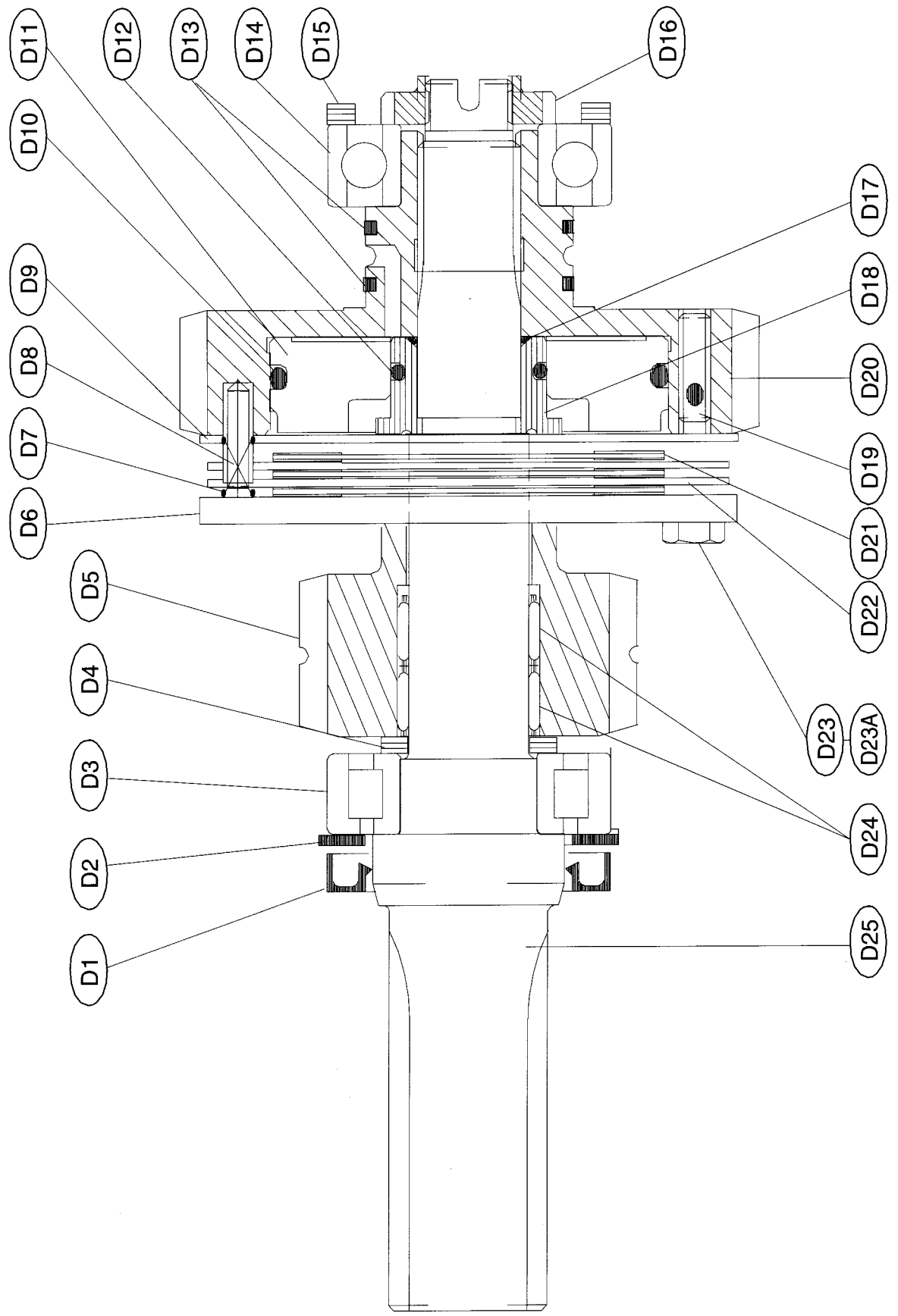
SECTION B - OIL PUMP ASSEMBLY

| ITEM NO. | DESCRIPTION | PART NO. | QTY |
|----------|--|-----------|------|
| B1 | Bolt M8 x 30 long | 0040809ZP | 2.00 |
| B2 | Bolt M8 x 35 long | 0040810ZP | 2.00 |
| A14 | Bonded seal ⁵ / ₁₆ " dia | CP1223 | 4.00 |
| B3 | Pump plate | MT320 | 1.00 |
| B4 | Dowel ³ / ₁₆ " x 1. ¹ / ₈ " long | MT356 | 2.00 |
| B5 | Pump cover | MT3049 | 1.00 |
| B6 | * Pump spindle | MT325 | 1.00 |
| B7 | * Pump gear | MT323 | 2.00 |
| B8 | * Spindle | MT3028 | 1.00 |
| B7/B8 | * Spindle sub assembly | MT3028S/A | 1.00 |

Pump repair kit - part no. MT0163 comprising items as indicated*. These are not supplied separately.

SECTION C - SELECTOR VALVE ASSEMBLY

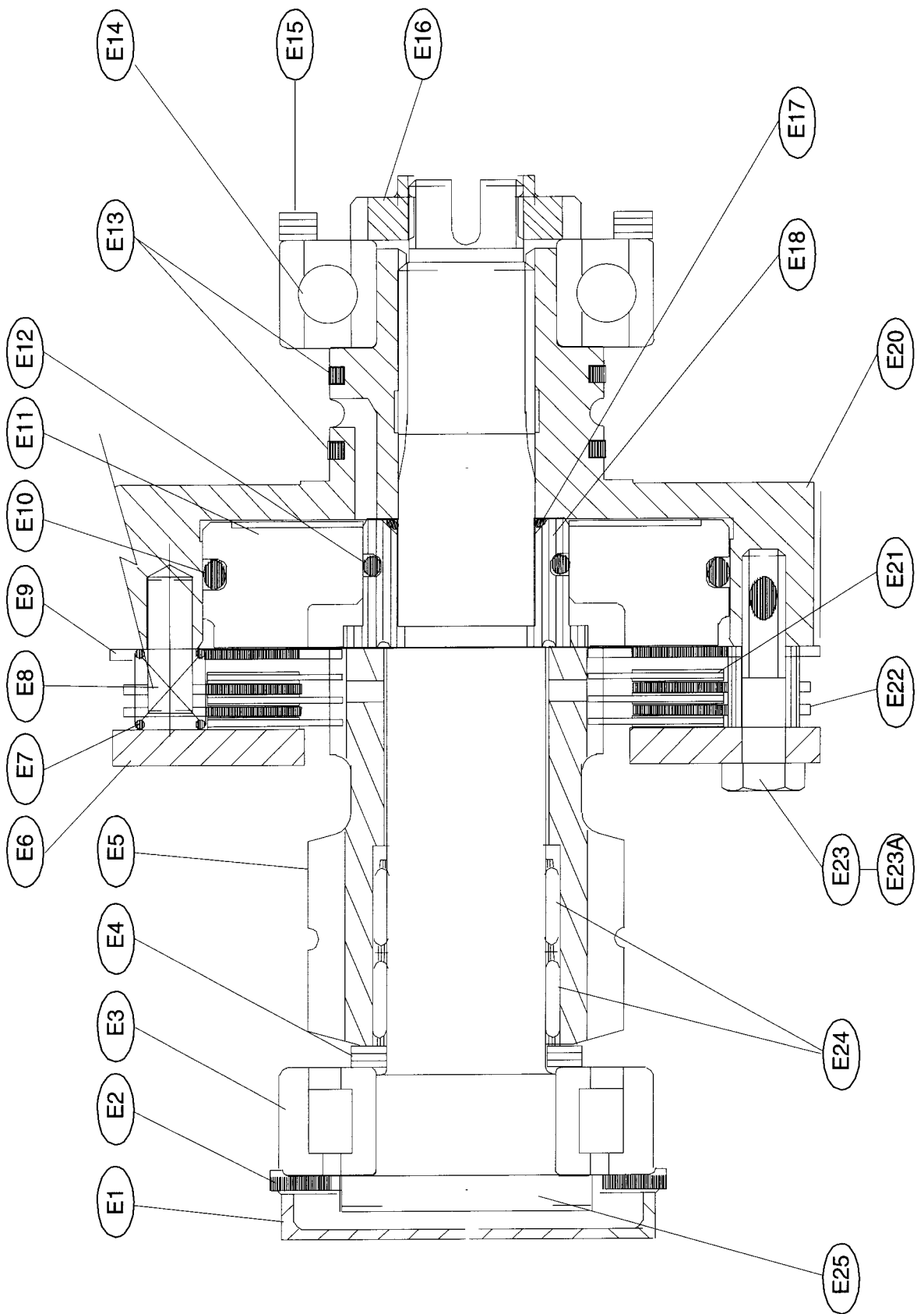
| ITEM NO. | DESCRIPTION | PART NO. | QTY |
|----------|----------------------------|----------|------|
| C1 | Spacer | MT3052 | 1.00 |
| C2/A17 | Nut M8 | 0050810 | 1.00 |
| C3 | Washer | MT979 | 1.00 |
| C4 | Operating lever | MT977 | 1.00 |
| C5 | Steel ball 6mm | 066M080 | 1.00 |
| C6 | Spring | MT3045 | 1.00 |
| C7 | Steel ball 6mm (if fitted) | 066M080 | 1.00 |
| C8 | Spring | MT3051 | 1.00 |
| C9 | Relief valve | MT3026 | 1.00 |
| C10 | Selector valve | MT3025 | 1.00 |
| C11/A20 | Gasket | MT3029 | 1.00 |
| C12 | 'O' ring | 04301525 | 1.00 |



SECTION D - INPUT SHAFT ASSEMBLY

| ITEM NO. | DESCRIPTION | PART NO. | QTY |
|----------|-------------------------------------|------------|------|
| D1 | Oil seal | 0400354 | 1.00 |
| D2 | Circlip (internal) | 0250520 | 1.00 |
| D3 | Bearing | 0532522 | 1.00 |
| D4 * | Thrust washer | MT3022 | 1.00 |
| D5 | Pinion and bearing sub-assy (1.5:1) | MT3166 S/A | 1.00 |
| | Pinion and bearing sub-assy (2.0:1) | MT3167S/A | 1.00 |
| | Pinion and bearing sub-assy (3.0:1) | MT3168S/A | 1.00 |
| D6 * | Clutch end plate | MT3165 | 1.00 |
| D7 * | Spring | MT3024 | 3.00 |
| D8 * | Guide pin | MT3021 | 3.00 |
| D9 * | Clutch end plate | MT117 | 1.00 |
| D10 | 'O' ring | 002874 | 1.00 |
| D11 | Piston | MT3170 | 1.00 |
| D12 | 'O' ring | 001123 | 1.00 |
| D13 | Piston ring | MT369 | 2.00 |
| D14 | Ball bearing | 0512528 | 1.00 |
| D15 | Spacer | MT3174 | 1.00 |
| D16 * | Special locknut | MT8118 | 1.00 |
| D17 | 'O' ring | 000872 | 1.00 |
| D18 | Sealing collar | MT3172 | 1.00 |
| D19 | Grub screw | 014F420L | 2.00 |
| D20 | Clutch gear | MT3164 | 1.00 |
| D21 | Clutch plate | MT731/S | 3.00 |
| D22 * | Clutch plate | MT116 | 2.00 |
| D23 * | Screw M6 x 30 | 0040609HTP | 6.00 |
| D23A * | Ferrule | MT3066 | 6.00 |
| D24 | Needle bearing | 0562213 | 2.00 |
| D25 | Input shaft | MT3160 | 1.00 |

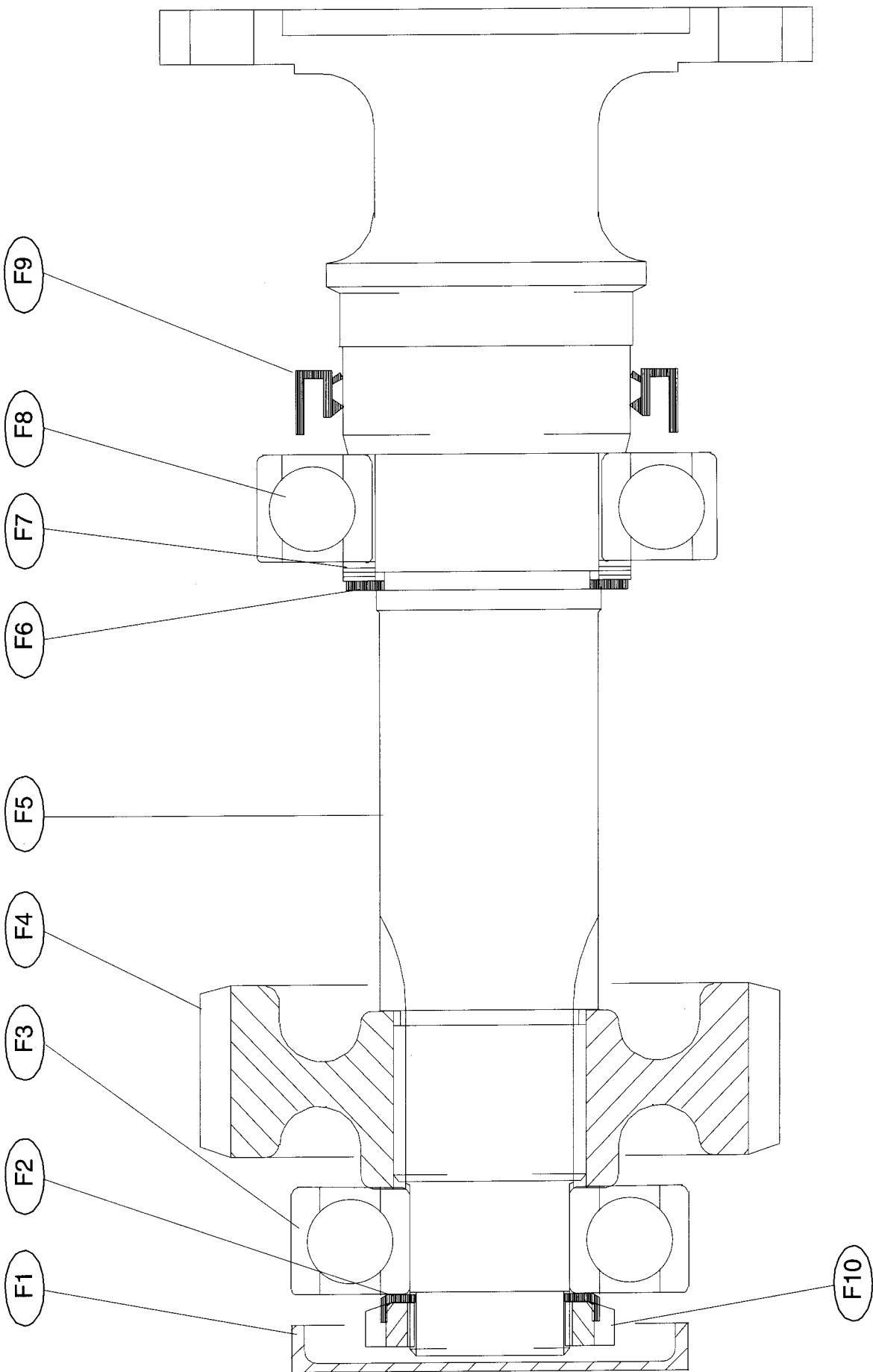
Clutch repair kit - Part No. MT0436 comprising items as indicated *. Clutch plates not sold separately.



SECTION E - LAYSHAFT ASSEMBLY

| ITEM NO. | DESCRIPTION | PART NO. | QTY |
|----------|-------------------------------------|------------|------|
| E1 | Shamban seal | 069050206 | 1.00 |
| E2 | Circlip (internal) | 0250520 | 1.00 |
| E3 | Bearing | 0532522 | 1.00 |
| E4 * | Thrust washer | MT3022 | 1.00 |
| E5 | Pinion and bearing sub-assy (1.5:1) | MT3166S/A | 1.00 |
| | Pinion and bearing sub-assy (2.0:1) | MT3167S/A | 1.00 |
| | Pinion and bearing sub-assy (3.0:1) | MT3168S/A | 1.00 |
| E6 * | Clutch end plate | MT3165 | 1.00 |
| E7 * | Spring | MT3024 | 3.00 |
| E8 * | Guide pin | MT3021 | 3.00 |
| E9 * | Clutch end plate | MT117 | 1.00 |
| E10 | 'O' ring | 002874 | 1.00 |
| E11 | Piston | MT3170 | 1.00 |
| E12 | 'O' ring | 001123 | 1.00 |
| E13 | Piston ring | MT369 | 2.00 |
| E14 | Ball bearing | 0512528 | 1.00 |
| E15 | Spacer | MT3174 | 1.00 |
| E16 * | Special locknut | MT8118 | 1.00 |
| E17 | 'O' ring | 000872 | 1.00 |
| E18 | Sealing collar | MT3172 | 1.00 |
| E20 | Clutch gear | MT3163 | 1.00 |
| E21 * | Clutch plate | MT731/S | 3.00 |
| E22 * | Clutch plate | MT116 | 2.00 |
| E23 * | Screw M6 x 30 | 0040609HTP | 6.00 |
| E23A * | Ferrule | MT3066 | 6.00 |
| E24 | Needle bearing | 0562213 | 2.00 |
| E25 | Layshaft | MT3161 | 1.00 |

Clutch repair kit - Part No. MT0436 comprising items as indicated *. Clutch plates not sold separately.



| SECTION F - OUTPUT SHAFT ASSEMBLY | | | |
|--|---|-----------------|------------|
| ITEM NO. | DESCRIPTION | PART NO. | QTY |
| F1 | Shamban seal | 06906208 | 1.00 |
| F2 | Lockwasher | 010W251 | 1.00 |
| F3 | Bearing | AM161 | 1.00 |
| F4 | Wheel (1.5:1) | MT3012 | 1.00 |
| | Wheel (2:1) | MT3010 | 1.00 |
| | Wheel (3:1) | MT3171 | 1.00 |
| F5 | Output shaft | MT3162 | 1.00 |
| F6 | Circlip | 0330350 | 1.00 |
| F7 | Spacer | MT3089 | 1.00 |
| F8 | Bearing | CM2017 | 1.00 |
| F9 | Seal | 0400454 | 1.00 |
| F10 | Locknut | 010N251 | 1.00 |
| | 'O' ring/seal kit containing all gaskets seals etc. for complete gearbox | MT0433 | 1.00 |

REPAIR KITS AVAILABLE

Piston ring kit MT0437

Clutch pack kit MT0436

Pump repair kit MT0163

'O' ring/seal kit MT0433